



NAGPUR : ONE OF THE FASTEST GROWING CITIES IN INDIA

NAGPUR @ 2025



Instill pride & ownership in citizens

Bring together citizens, corporates, NGOs & Administration on one platform to enable city's transformation

Make Nagpur a fantastic city to live, work & enjoy

Identify, implement & monitor sustainable, focussed initiatives & projects to transform the city

NAGPUR @ 2025

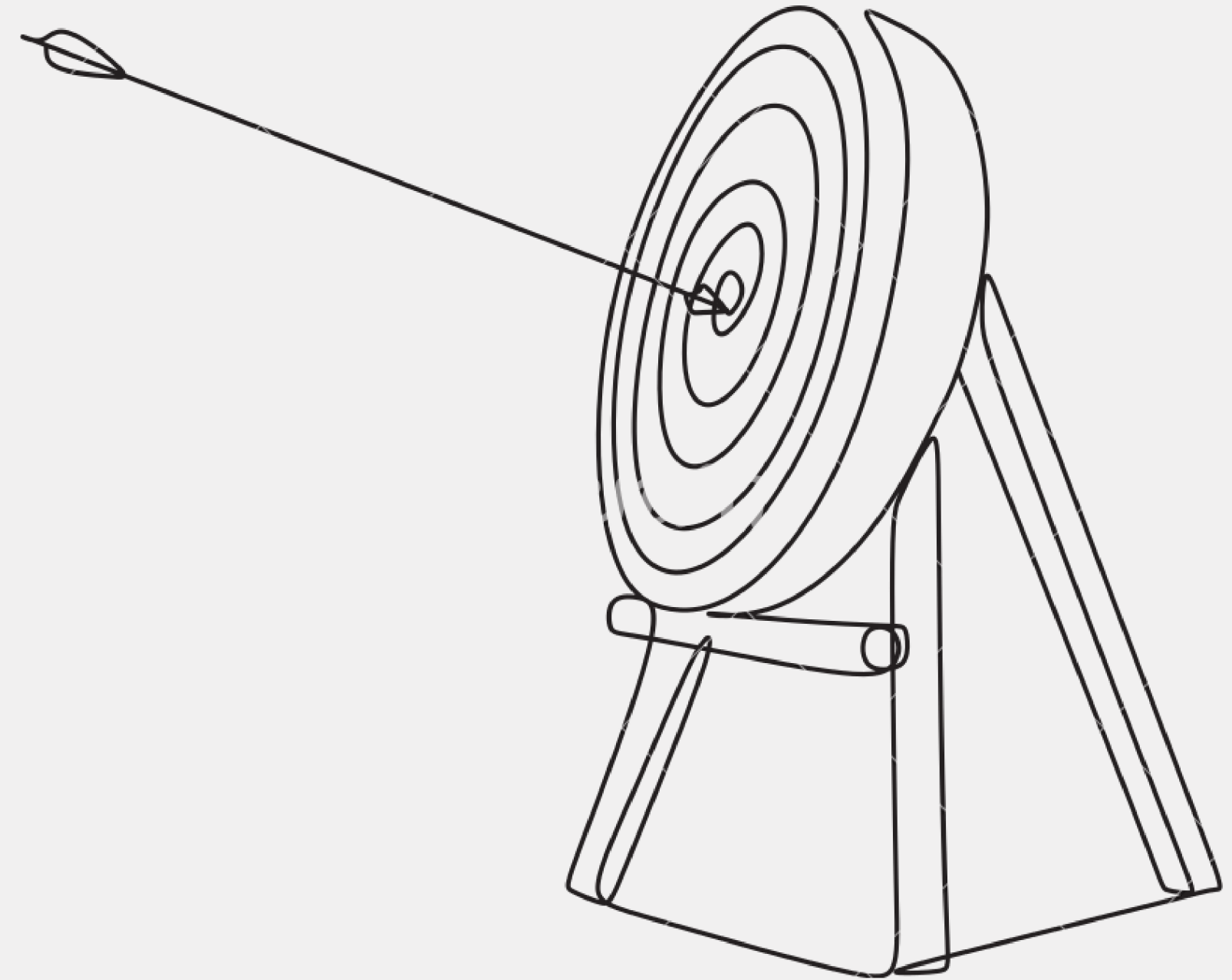
Traffic Management

Waste Management &
Cleanliness

Public Toilets &
Conveniences

Lakes Rejuvenation &
Heritage Sites Conservation

Public Spaces, Gardens &
Recreational Areas



WORKING GROUP

Chairpersons

Municipal Commissioner &
Commissioner of Police.

Conveners

Nimish Sutaria &
Anasuya Kale-Chhabrani

Members

Additional Municipal Commissioner.
Deputy Commissioner of Police.

Heads or Representatives of -

Intach

CMCA

Rotary Clubs of Nagpur

Tejaswini Mahila Manch

Nagpur Ploggers

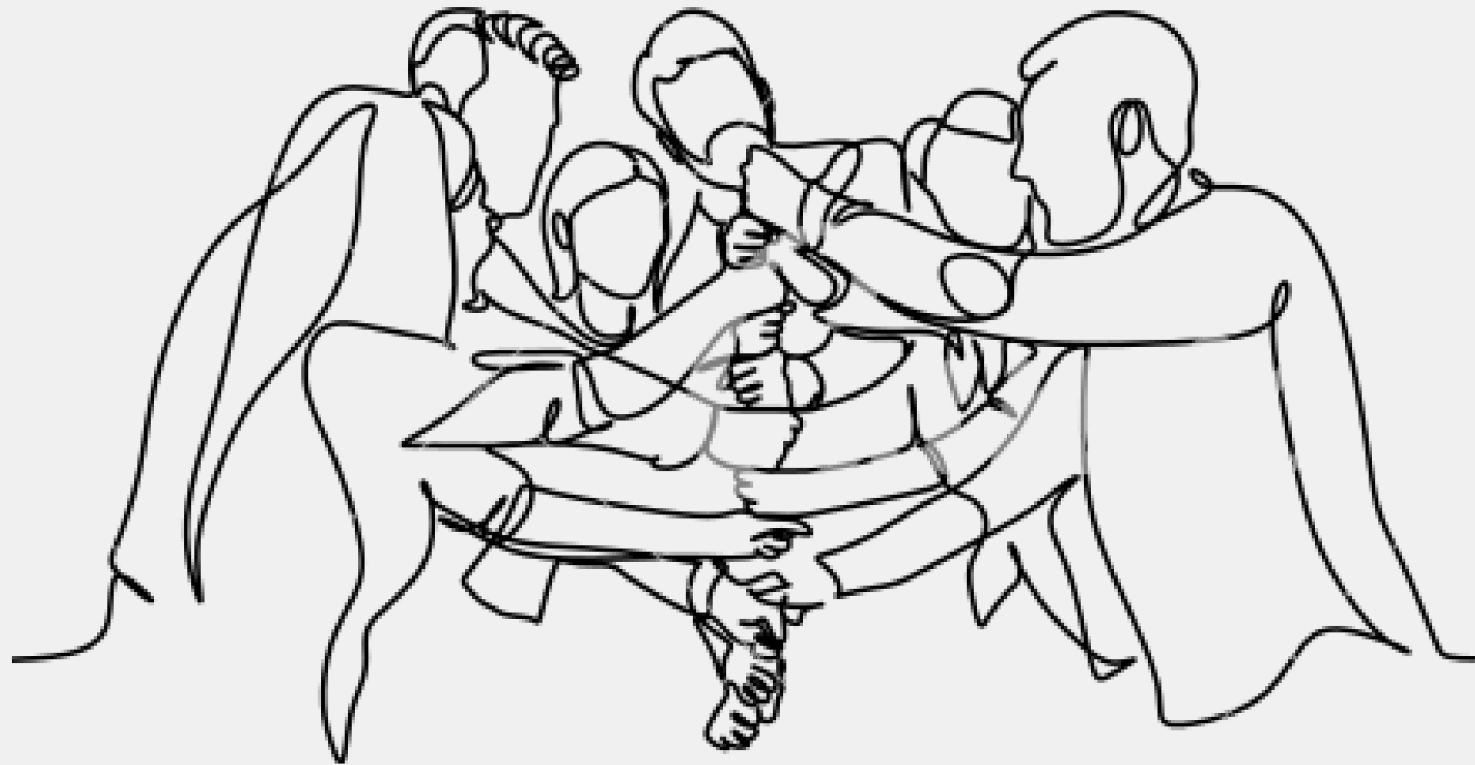
Swacch Association

I-Clean Nagpur

Urban Sketchers

Nagpur Civic Forum

Leaders Club



“OUR CITY MAKES US THE PEOPLE WE ARE!”

THANK YOU

Conveners

Nimish Sutaria &
Anasuya Kale-Chhabrani

